

Hataken Fiber Arrays Standard Specification

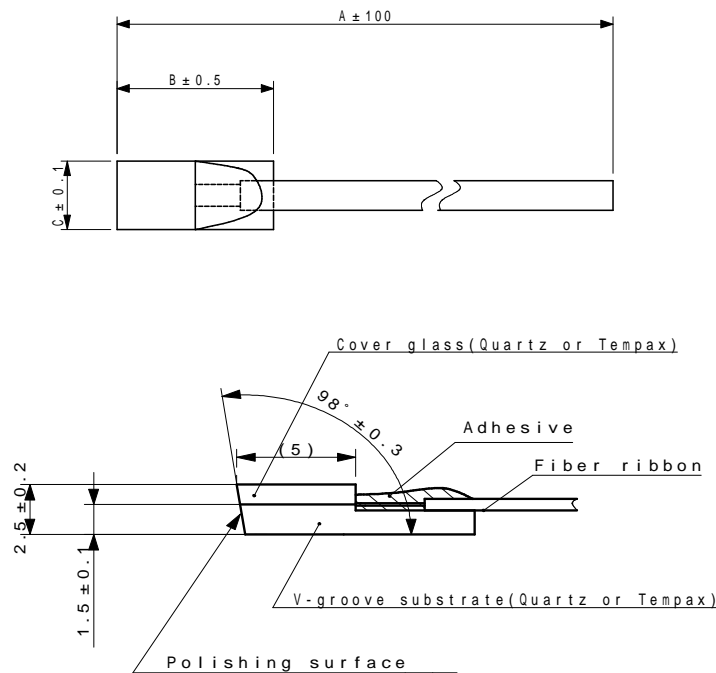
No.	part number	channel	Pitch	A	B	C	T	material
1	FA1-0-6-25	1ch		2000	6	2.5	2.5	Glass
2	FA2-2-10-25-1	2ch	0.25	2000	10	2.5	2.5	Quartz
3	FA2-2-10-25-2	2ch	0.25	2000	10	2.5	2.5	Tempax
4	FA4-1-10-25-1	4ch	0.127	2000	10	2.5	2.5	Quartz
5	FA4-1-10-25-2	4ch	0.127	2000	10	2.5	2.5	Tempax
6	FA4-2-10-25-1	4ch	0.25	2000	10	2.5	2.5	Quartz
7	FA4-2-10-25-2	4ch	0.25	2000	10	2.5	2.5	Tempax
8	FA8-1-12-25-1	8ch	0.127	2000	12	2.5	2.5	Quartz
9	FA8-1-12-25-2	8ch	0.127	2000	12	2.5	2.5	Tempax
10	FA8-2-10-30-1	8ch	0.25	2000	10	3.0	2.5	Quartz
11	FA8-2-10-30-1	8ch	0.25	2000	10	3.0	2.5	Tempax
12	FA16-1-12-30-1	16ch	0.127	2000	12	3.0	2.5	Quartz
13	FA16-1-12-30-2	16ch	0.127	2000	12	3.0	2.5	Tempax
14	FA32-1-12-57-1	32ch	0.127	2000	12	5.7	2.5	Quartz
15	FA32-1-12-57-2	32ch	0.127	2000	12	5.7	2.5	Tempax
16	FA48-1-12-90-1	48ch	0.127	2000	12	9.0	2.5	Quartz
17	FA48-1-12-90-2	48ch	0.127	2000	12	9.0	2.5	Tempax
18	FA64-1-15-100-1	64ch	0.127	2000	15	10.0	3.0	Quartz
19	FA64-1-15-100-2	64ch	0.127	2000	15	10.0	3.0	Tempax
20	FA96-1-15-140-1	96ch	0.127	2000	15	14	3.0	Quartz
21	FA96-1-15-140-2	96ch	0.127	2000	15	14	3.0	Tempax
22	FA98-1-15-140-1	98ch	0.127	2000	15	14	3.0	Quartz
23	FA98-1-15-140-2	98ch	0.127	2000	15	14	3.0	Tempax

Users spec. available

High-multi (more than 98) channel fiber arrays are also available for customers' purpose.

not only single mode fibers but also multi mode fibers, metalized fibers, and polarization maintaining fibers are available.

unit: mm



Specification subject to change without notice.